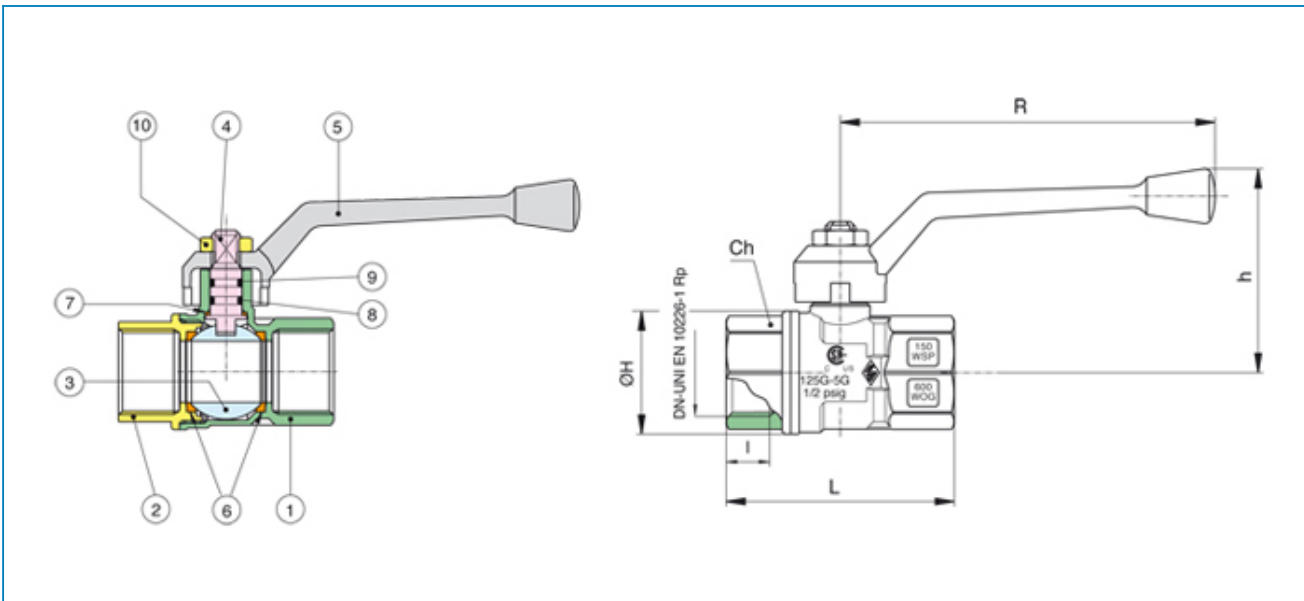


Serie **SUPER-SFER**

Articolo **1600**

Full bore brass ball valve, F/F threaded, with aluminium handle.



| POS. | PART NAME | MATERIALE-MATERIALS MATERIAUX-WERKSTOFF- MATERIAL | N°P |
|------|-------------------|---------------------------------------------------|-----|
| 1 | BODY | OTTONE CW617N UNI EN 12165 | 1 |
| 2 | END CONNECTION | OTTONE CW617N UNI EN 12165 | 1 |
| 3 | BALL | OTTONE CW617N UNI EN 12165 | 1 |
| 4 | STEM | OTTONE CW614N UNI EN 12164 | 1 |
| 5 | HANDLE | ALLUNINIO EN-AC 46100 EN 1706 | 1 |
| 6 | BALL SEAT | P.T.F.E | 2 |
| 7 | ANTIFRICTION SEAT | P.T.F.E | 1 |
| 8 | O-RING | NBR | 2 |
| 9 | O-RING | FKM | 2 |
| 10 | NUT | ACCIAIO CL 04 | 1 |

| MISURA SIZE | DN | BOX | MASTER BOX | CODICE CODE | I | CH | ØH | L | h | R | Kv | PN | Kg |
|-------------|-----|-----|------------|-------------|------|-----|------|-------|------|-----|------|----|-------|
| 1/4"* | 8 | 25 | 50 | 1700020000 | 11 | 20 | 23 | 51,5 | 47,5 | 95 | 5,4 | 64 | 0,14 |
| 3/8"* | 10 | 25 | 50 | 1700030000 | 11,4 | 20 | 23 | 51,5 | 47,5 | 95 | 6 | 64 | 0,13 |
| 1/2" | 15 | 50 | 100 | 1600040000 | 15 | 25 | 30 | 59 | 48,5 | 95 | 16,3 | 30 | 0,17 |
| 3/4" | 20 | 25 | 50 | 1600050000 | 16,3 | 31 | 36 | 67 | 59,5 | 110 | 29,5 | 30 | 0,29 |
| 1" | 25 | 20 | 40 | 1600060000 | 19,1 | 38 | 43,5 | 81,5 | 62 | 110 | 43 | 30 | 0,44 |
| 1"1/4 | 32 | 10 | 20 | 1600070000 | 21,4 | 48 | 53 | 94 | 76 | 160 | 89 | 25 | 0,76 |
| 1"1/2 | 40 | 6 | 12 | 1600080000 | 21,4 | 54 | 65 | 102,5 | 81,5 | 160 | 230 | 25 | 1,02 |
| 2" | 50 | 4 | 8 | 1600100000 | 25,7 | 67 | 80 | 123 | 99,5 | 170 | 265 | 25 | 1,75 |
| 2"1/2* | 65 | 2 | 4 | 1700120000 | 30,2 | 90 | 111 | 152 | 129 | 205 | 540 | 25 | 3,71 |
| 3"* | 80 | - | 4 | 1700140000 | 33,3 | 105 | 136 | 177 | 140 | 205 | 873 | 25 | 5,90 |
| 4"* | 100 | - | 2 | 1700180000 | 39,3 | 130 | 166 | 214 | 160 | 260 | 1390 | 25 | 10,00 |

Limiti di temperatura: -20°C +130°C - Temperature range: -20°C +130°C.

* Art.1700